

700 McMurray Road
 Buellton, CA 93427
 PHONE: (805) 688-8101
 Remit to: P.O. Box 111
 San Luis Obispo, CA 93400

SOLD TO: FLUID PULSE *R/O*
 BILL HURST
 5587 W CAMINO CIELO
 SANTA BARBARA CA 93105
 805-886-1850

CUST NO: 96438
 TERMS: CASH/CHECK/BANKCA

DATE: 3/8/19 TIME: 10:08
 CLERK: MJACINTH TERMINAL: 529
 SALESPERSON:
 TAX: BU1 BU STORE TAX

REFERENCE:
 JOB NO: 000
 DATE EXPECTED: 12/24/18

REWARD NO: 0000096438

SHIP TO:

ORDER: 277626

SPEC ORDER: 277626

LINE	QTY	UM	SKU	DESCRIPTION	UNITS	SUGG	PRICE/	PER	EXTENSION
1	1	EA	SO001756508001	2500 C/B W/STAND HD BLK W/FIT	1		3225.99	/EA	3,225.99
2	6	EA	SO005277626002	INSTALL EXTRA FITTINGS	6		68.25	/EA	409.50

Revise with the addition of 6 extra bulkheads.

TAXABLE 3635.49
 NON-TAXABLE 0.00
 SUBTOTAL 3635.49

PRIOR DEPOSIT 3476.00
 DEPOSIT AMT 0.00
 BALANCE DUE 441.24

← Total still due.

TAX AMOUNT 281.75

TOTAL 3917.24



TOT WT: 0.00

X

Received By

William E Hurst

FITTING ID
FITTING P/N

A
63683
2" HD Bulk

B
62299
3" Bulk

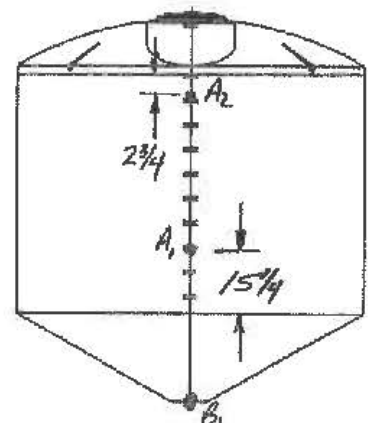
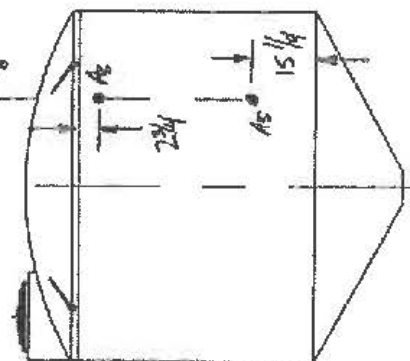
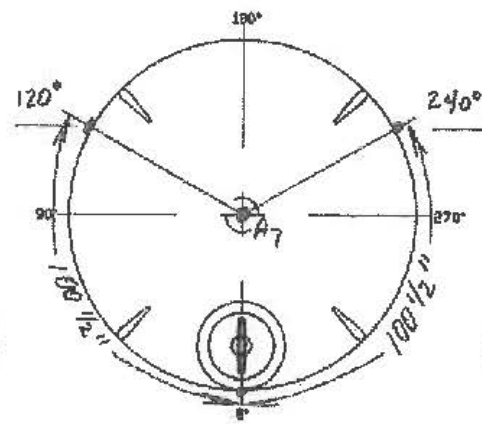
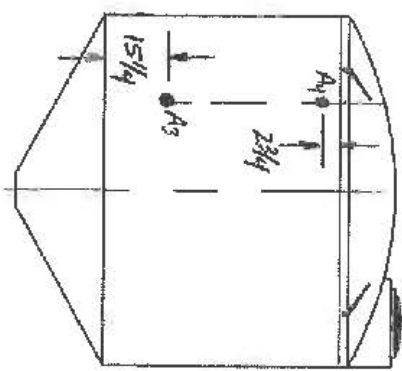
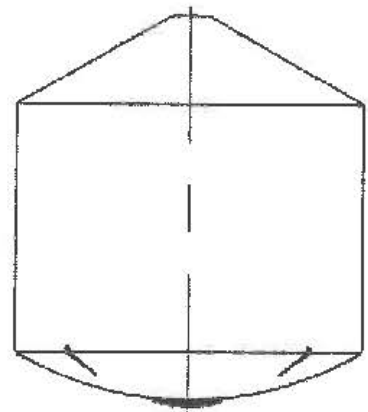
C

D

E

F

* 15 1/4" lower fitting height driven by 12" height of stand.



William E. Howard

$.01745 (48)(120) = 100 1/2"$

TANK CAPACITY 2,500 CB HD Black
 TANK D X H _____
 DATE 3-8-19 TANK P/N 42968

NORWESCO
 SPECIAL FITTING LOCATION SPEC SHEET